



**LINEAR MOTION**

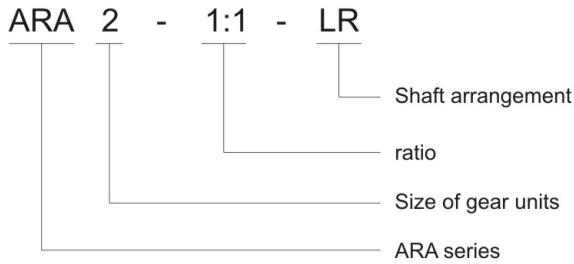
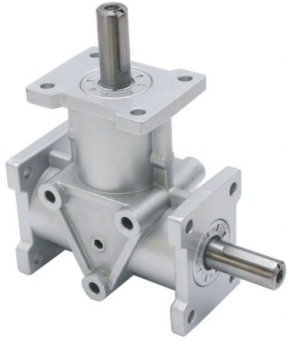


## **LUDE TRANSMISSION**

ARA Series Right Angle Gearboxes

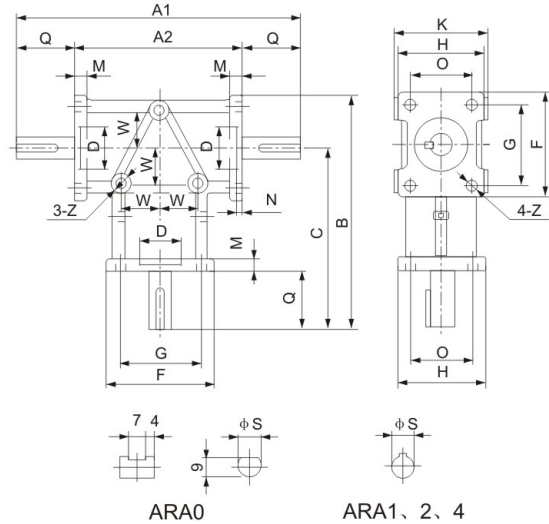


# ARA SERIES SPIRAL BEVEL GEAR UNITS



Features:

1. Small size,full installation, light weight, aluminum alloy shell.
2. The output of ARA series can select stainless Steel Materials.
- 3.It has two kinds of ratio respectively 1:1 and 2:1.



	A1	A2	B	C	D(H7)	F	G	H	K	M	N	O	W	Z	φ Sh7	Q	Flat key
ARA0	100	70	94	70	φ 22	48	38	38	40	5	2	28	17	φ 5.5	φ 10	15	-
ARA1	184	108	155.5	120.5	φ 35	70	54	56	60	8	5	40	24	φ 6.8	φ 15	38	5×5
ARA2	252	152	226	177	φ 42	98	76	72	76	12	5	54	38	φ 8.8	φ 20	50	6×6
ARA4	280	160	265	210	φ 62	110	80	110	110	10.5	5	80	40	φ 10.8	φ 24	60	8×7

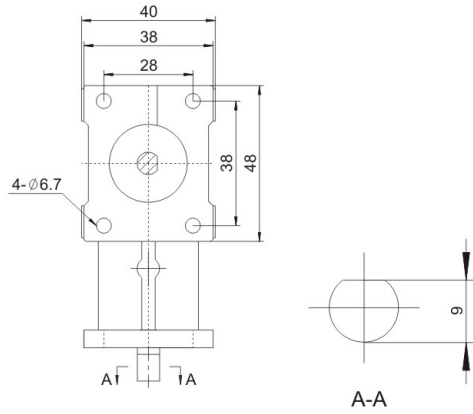
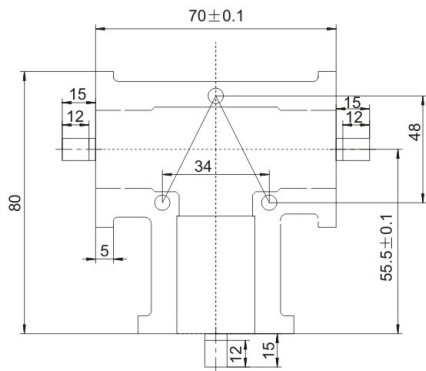
Transmission Capacity Table

ratio	Input speed r/min	input power (kW)			
		ARA0	ARA1	ARA2	ARA4
1:1	1450	0.31	1.11	1.92	4.94
	1150	0.28	0.88	1.73	4.19
	870	0.24	0.66	1.47	3.46
	580	0.18	0.44	1.10	2.45
	400	0.14	0.30	0.76	1.72
	300	0.12	0.23	0.57	1.30
	200	0.08	0.15	0.38	0.88
	150	0.06	0.11	0.28	0.67
	100	0.04	0.08	0.19	0.448
2:1	50	0.02	0.04	0.095	0.231
	1450	0.14	0.55	0.94	3.32
	1150	0.11	0.43	0.74	2.67
	870	0.08	0.33	0.56	2.04
	580	0.05	0.22	0.37	1.38
	400	0.04	0.15	0.26	0.964
	300	0.03	0.11	0.19	0.729
	200	0.02	0.075	0.13	0.492
	150	0.014	0.056	0.10	0.372
100	0.010	0.038	0.064	0.249	
50	0.005	0.018	0.032	0.125	

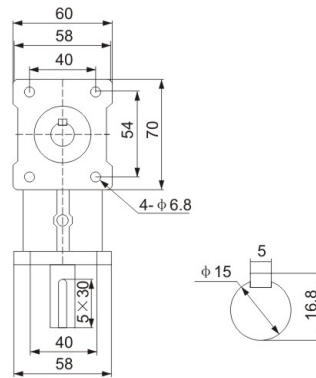
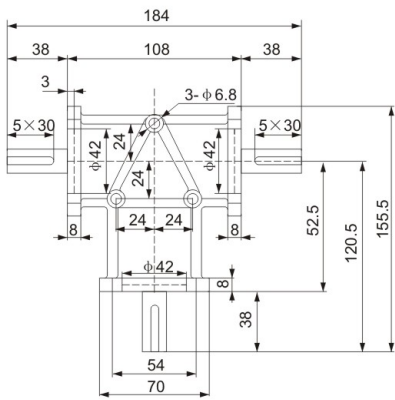


LINEAR MOTION

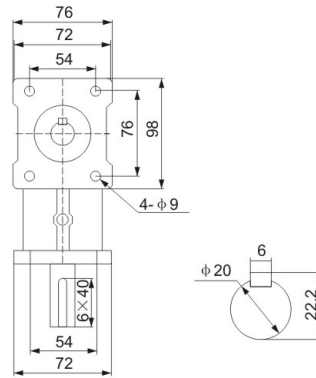
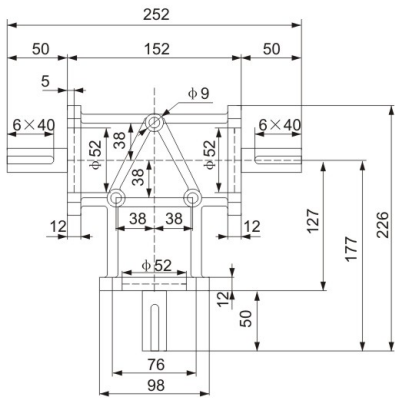
ARA0



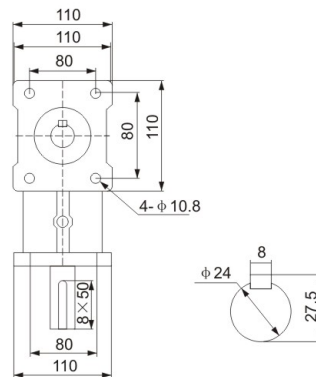
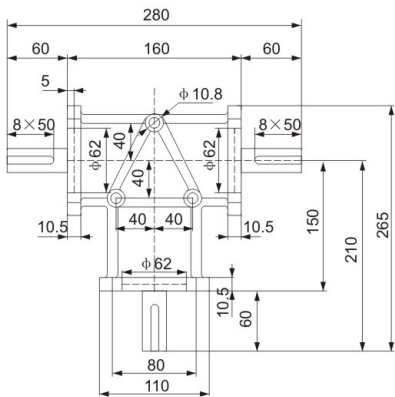
ARA1



ARA2



ARA4





## **LINEAR MOTION**

Dezhou Lude Transmission Equipments CO.,LTD

NO.2758 Mengyin Road, Economic&Technical Development Zone, Dezhou, Shandong, China

TEL: 0086-534-2765998 2761998

E-mail: [ludetransmission@gmail.com](mailto:ludetransmission@gmail.com) [china@ludetransmission.com](mailto:china@ludetransmission.com)

Web: [www.ludetransmission.com](http://www.ludetransmission.com)